

# ZEPHYR EVERY DAY

ORDER FORM  
2023

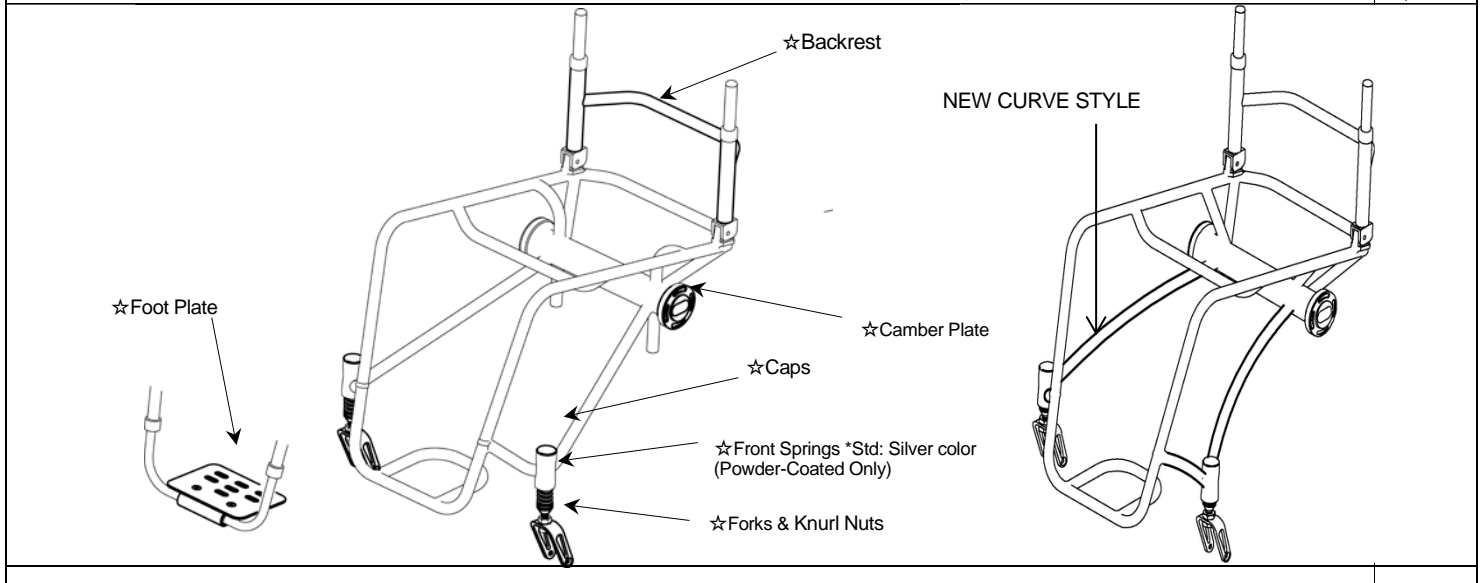
Tel: 951-808-9131 FAX: 951-808-9949  
Toll Free: 800-892-8998 www.colourswheelchair.com

DEALER		COLOURS INFORMATION For Office Use Only	
Dealer:		Order Date:	S/N:
Account:	P.O.#:		
Ordered By:			
Customer Name:			
Customer Weight:			

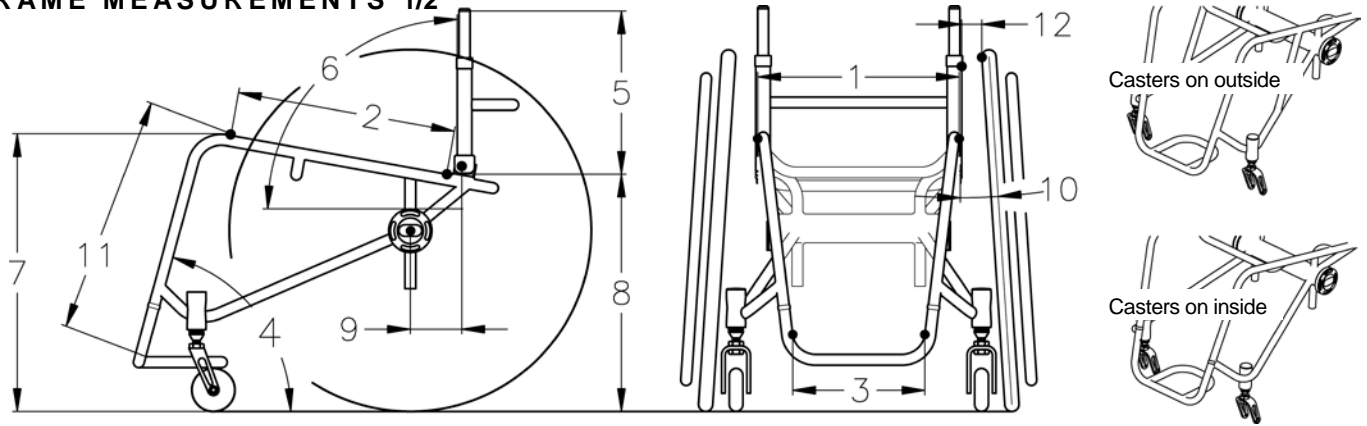
CHAIR INFORMATION	PRICE
<b>ZEPHYR K0005</b>	Base Wheel Chair Price <b>K0009</b> \$ 4,900
<b>Fixed FSH-RSH</b>	Total Section <b>A</b> \$
<b>Max. Capacity 250Lbs</b>	Total Section <b>B</b> \$
NOTE	Total Section <b>C(Custom Parts Color)</b> \$
<b>Main Frame : ZK55 &amp; ZK60 High Grade A7000 Series Aluminum</b>	Total Section <b>D</b> \$
<b>Main Frame : Lifetime Warranty(5 YEARS)</b>	Total Section <b>E</b> \$
*See warranty policy	Total Section <b>F</b> \$
	Total Section <b>G</b> \$
	Total Section <b>H</b> \$
	<b>ORDER GRAND TOTAL</b> \$

## A FRAME COLORS & PARTS COLORS

<b>FRAME COLORS</b>	<input type="checkbox"/> Heavy Duty Frame(250-300lbs) \$750	\$ STD
<b>Powder</b>	<input type="checkbox"/> Gloss Black <input type="checkbox"/> Twilight Flake <input type="checkbox"/> Yellow <input type="checkbox"/> Magenta <input type="checkbox"/> Fire Engine Red <input type="checkbox"/> White <input type="checkbox"/> Neon Yellow <input type="checkbox"/> Candy Blue <input type="checkbox"/> Candy Purple <input type="checkbox"/> Candy Green <input type="checkbox"/> Candy Red <input type="checkbox"/> Candy Raspberry <input type="checkbox"/> Cobalt Blue <input type="checkbox"/> Shocker Yellow <input type="checkbox"/> Matte Gray <input type="checkbox"/> Matte Purple <input type="checkbox"/> Matte Blue <input type="checkbox"/> Matte Green <input type="checkbox"/> Matte Black <input type="checkbox"/> Matte Red <input type="checkbox"/> Blue Lilac <input type="checkbox"/> Neon Green <input type="checkbox"/> Orange Sparkle <input type="checkbox"/> Mellon Yellow <input type="checkbox"/> Gun Smoke Silver <input type="checkbox"/> Reed Green <input type="checkbox"/> Sparkle Burgundy <input type="checkbox"/> Granny Sparkle Green <input type="checkbox"/> Sparkle Sky Blue <input type="checkbox"/> Tiffany Blue <input type="checkbox"/> Brass Metallic	
<input type="checkbox"/> NEW CURVE FRAME STYLE		\$ STD
<b>Special Colors</b>	<input type="checkbox"/> Polished ..... <input type="checkbox"/> 24 karat Gold Plated .....	\$ 920 \$ CFP
<b>PARTS COLORS ( Custom Parts Color Section, Please see Section F)</b>		
<b>STD Color</b>	Black Color (*Suspension Springs-Silver Color Only)-	\$ STD
<b>Custom Color Main Bolt on Parts One Color Package</b>	Including: Backrest, Foot Plate, Forks & Knurl Nuts, Caps, Front Suspension Springs, Camber Discs <input type="checkbox"/> Powder-Coated ( ) <input type="checkbox"/> Polished ..... ☆marked parts <input type="checkbox"/> 24 karat Gold Plated .....	\$ 450 \$ 529 \$ CFP



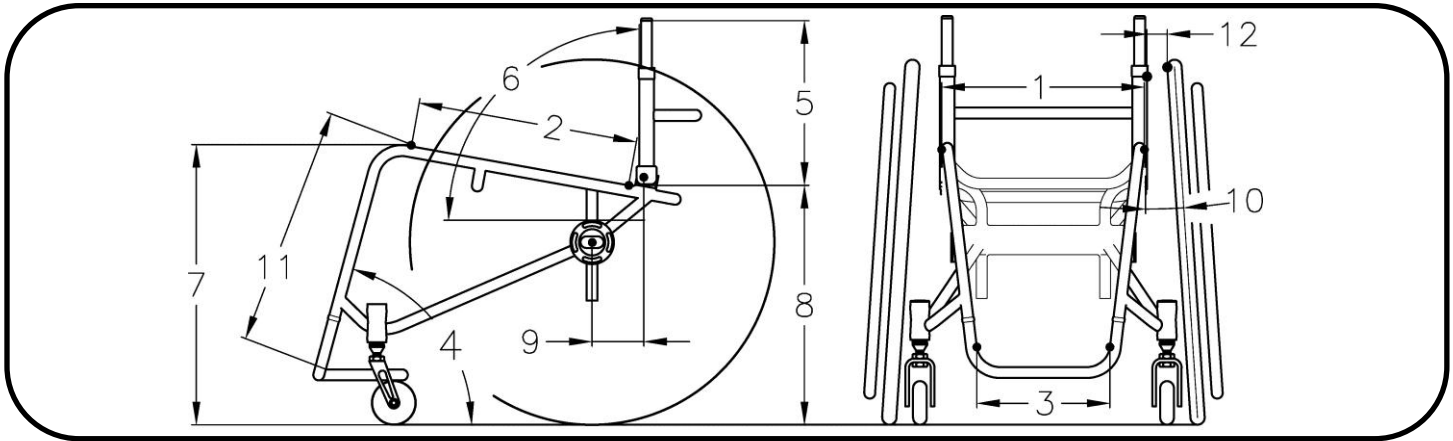
## B FRAME MEASUREMENTS 1/2



<b>1. SEAT WIDTH</b>	<input type="checkbox"/> 12.0" <input type="checkbox"/> 12.5" <input type="checkbox"/> 13.0" <input type="checkbox"/> 13.5" <input type="checkbox"/> 14.0" <input type="checkbox"/> 14.5" <input type="checkbox"/> 15.0"   ..... <input type="checkbox"/> 15.5" <input type="checkbox"/> 16.0" <input type="checkbox"/> 16.5" <input type="checkbox"/> 17.0" <input type="checkbox"/> 17.5" <input type="checkbox"/> 18.0"	\$ STD								
<b>2. SEAT DEPTH</b>	<input type="checkbox"/> 12.0" <input type="checkbox"/> 13.0" <input type="checkbox"/> 14.0" <input type="checkbox"/> 15.0" <input type="checkbox"/> 16.0"* <input type="checkbox"/> 17.0"* <input type="checkbox"/> 18.0"* <input type="checkbox"/> 19.0"* ..... <input type="checkbox"/> 20"* ..... <b>E2203</b>	\$ STD \$ 345								
*16" - 20" seat depth has the extra support bars										
Aluminum Seat Pan		\$ 324								
Welded Aluminum Seat Pan for (250-300 lbs)		\$ 288								
<b>POSITIONING FRAME</b>	Add <input type="checkbox"/> 0" <input type="checkbox"/> 1" <input type="checkbox"/> 2" <input type="checkbox"/> 3" <input type="checkbox"/> 4" <input type="checkbox"/> 5" ..... 	\$ STD								
<b>FRAME STYLE</b>	<input type="checkbox"/> V-Taper <input type="checkbox"/> Taper on Bottom <input type="checkbox"/> Taper on Top <input type="checkbox"/> Taper Seat Sling <input type="checkbox"/> No Taper 	\$ STD								
<b>CASTER POSITION</b>	<input type="checkbox"/> Casters on Inside <input type="checkbox"/> Casters on Outside .....	\$ STD								
<b>3. FOOTREST WIDTH</b>	(   " ) ..... *No Taper= Your Seat Width Minus 1.5"	\$ STD								
<b>FOOT PLATE STYLE</b>	<input type="checkbox"/> <b>Welded Tubular Footrest</b> * Must Specify Measurement  *Measurement must be 2.5" shorter than your Footrest Width <input type="checkbox"/> <b>Welded Tubular Footrest w/ABS Foot Plate</b> - <input type="checkbox"/> <b>Single Loop Adjustable Footrest</b> with adjust. height & angle. STD Foot Plate - <b>K0040</b> *Adj. Height range = Plus/Minus 1.5"  <table border="1"> <thead> <tr> <th>Your Footrest Width</th> <th>Foot Plate Size</th> </tr> </thead> <tbody> <tr> <td>8.5"-10.5"</td> <td>W6.5"xD5"</td> </tr> <tr> <td>11.0"-13.0"</td> <td>W8.5"xD6.5"</td> </tr> <tr> <td>13.5"-17.5"</td> <td>W11"xD6.5"</td> </tr> </tbody> </table> <input type="checkbox"/> <b>Inside Mount Standard single loop</b> with adjust. height & angle. STD Foot Plate <b>K0040</b> *Adj. Height range = Plus/Minus 1.5" 	Your Footrest Width	Foot Plate Size	8.5"-10.5"	W6.5"xD5"	11.0"-13.0"	W8.5"xD6.5"	13.5"-17.5"	W11"xD6.5"	\$ STD \$ 160 \$ 353 \$ 322
Your Footrest Width	Foot Plate Size									
8.5"-10.5"	W6.5"xD5"									
11.0"-13.0"	W8.5"xD6.5"									
13.5"-17.5"	W11"xD6.5"									
<b>4. FRAME ANGLE</b>	<input type="checkbox"/> 75° <input type="checkbox"/> 80° <input type="checkbox"/> 85° <input type="checkbox"/> 90° to the ground - <input type="checkbox"/> Custom (   ° ) to the ground .....	\$ STD \$ NCO								

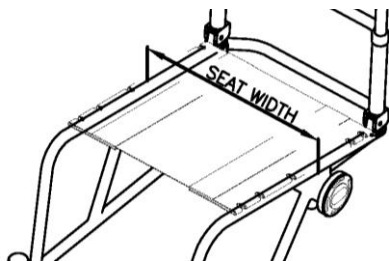
**B** FRAME MEASUREMENTS 2/2

<b>5. BACKREST HEIGHT</b>	<input type="checkbox"/> 8"	<input type="checkbox"/> 9"	<input type="checkbox"/> 10"	<input type="checkbox"/> 11"	<input type="checkbox"/> 12"	<input type="checkbox"/> 13"	<input type="checkbox"/> 14"	<input type="checkbox"/> 15"	<input type="checkbox"/> 16"	<input type="checkbox"/> 17"	<input type="checkbox"/> 18"	\$ STD
* Rigidizer bar 3.25" deep std.												
<b>BACKREST TYPE</b>	<input type="checkbox"/> <b>Folding with adjust height &amp; angle (STD)</b> *Not available w/Welded Side Guards											\$ STD
	<input type="checkbox"/> <b>Locking mechan. with adjust. height &amp; angle</b> *Not available w/Taper Seat Sling Frame *Not available w/Welded Side Guards											\$ 322
	<input type="checkbox"/> <b>Welded Backrest</b> *Non Folding , Non adjust. height & angle only											\$ 200
<b>CUSTOM</b>	<input type="checkbox"/> <b>Welded Side Guards</b> * Welded Backrest only ..... *Must specify Height & Length											\$ 518
	<input type="checkbox"/> <b>Custom Backrest</b> ..... (ie: double rigidizer bars, custom depth, Custom Height, etc)											\$ 200
<b>6. BACKREST ANGLE</b>	Set at (                      °) to the ground *STD 90° -											\$ STD
<b>7. FRONT SEAT HEIGHT</b>	<input type="checkbox"/> 15.5"	<input type="checkbox"/> 16.0"	<input type="checkbox"/> 16.5"	<input type="checkbox"/> 17.0"	<input type="checkbox"/> 17.5"	<input type="checkbox"/> 18.0"	<input type="checkbox"/> 18.5"	.....				\$ STD
Front Seat Height Ranges		Caster Wheel Size		Front Seat Height								
		3" Caster		15.5" - 21.0"								
		4" Caster		16.0" - 21.5"								
		5" Caster		16.5" - 22.0"								
<b>8. REAR SEAT HEIGHT</b>	<input type="checkbox"/> 14.0"	<input type="checkbox"/> 14.5"	<input type="checkbox"/> 15.0"	<input type="checkbox"/> 15.5"	<input type="checkbox"/> 16.0"	<input type="checkbox"/> 16.5"	<input type="checkbox"/> 17.0"	<input type="checkbox"/> 17.5"	.....		\$ STD	
Rear Seat Height Ranges		Rear Tire Size		Rear Seat Height								
		24" Wheel (540)		14.0" - 21.0"								
		25" Wheel (559)		15.0" - 21.5"								
		26" Wheel (590)		15.5" - 21.5"								
<b>9. CENTER OF GRAVITY</b>	<input type="checkbox"/> 1.0"	<input type="checkbox"/> 1.5"	<input type="checkbox"/> 2.0"	<input type="checkbox"/> 2.5"	<input type="checkbox"/> 3.0"	<input type="checkbox"/> 3.5"	<input type="checkbox"/> 4.0"	.....				\$ STD
Center of Gravity Ranges		Your Seat Depth		Center of Gravity								
		12.0"		1.0" - 1.5"								
		13.0"		1.0" - 2.5"								
		14.0"		1.0" - 3.5"								
		15.0"		1.0" - 4.5"								
		16.0"		1.0" - 6.0"								
		17.0"		1.0" - 6.0"								
		18.0"		1.0" - 7.0"								
		19.0"		1.0" - 7.0"								
<b>10. CAMBER ANGLE</b>	<input type="checkbox"/> 0°	<input type="checkbox"/> 2°	<input type="checkbox"/> 4°	<input type="checkbox"/> 6°	<input type="checkbox"/> 8°	<input type="checkbox"/> 10°	.....				\$ STD	
<b>11. FRONT OF SLING SEAT TO FRONT OF FOOTREST</b>	<input type="checkbox"/> 14.0"	<input type="checkbox"/> 14.5"	<input type="checkbox"/> 15.0"	<input type="checkbox"/> 15.5"	<input type="checkbox"/> 16.0"	<input type="checkbox"/> 16.5"	<input type="checkbox"/> 17.0"	.....				\$ STD
<b>12. INSIDE WHEEL CLEARANCE</b>	<input type="checkbox"/> 3/4"	<input type="checkbox"/> 1"	<input type="checkbox"/> 1 1/4"	<input type="checkbox"/> 1 1/2"	<input type="checkbox"/> 1 3/4"	<input type="checkbox"/> 2"	.....				\$ STD	
<b>NOTE</b> Zephyr is a custom made wheelchair. If you would like to customize your Zephyr beyond what is available on this order form, please submit your request here. Colours will determine as to whether this request can be accomplished while maintaining the safety and integrity of the wheelchair. If it can be accomplished the quote will reflect any and all custom charges, thank you.												



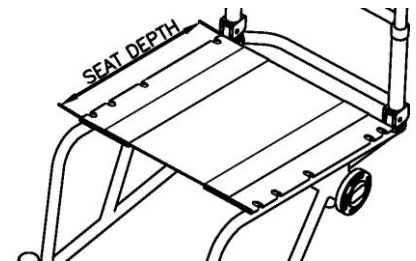
## 1. SEAT WIDTH

Measure from outside of seat tube to the outside of the opposite seat tube.



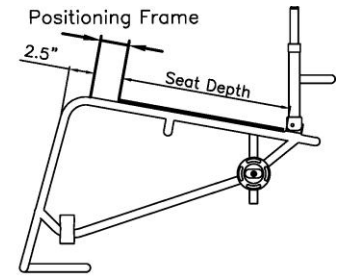
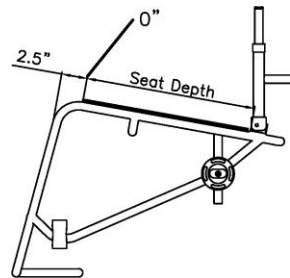
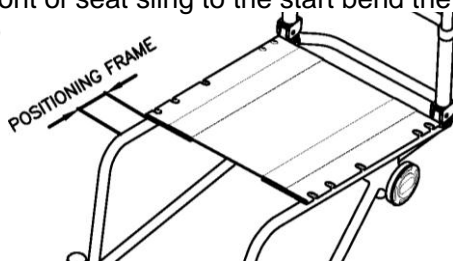
## 2. SEAT DEPTH

Measure from front bottom of backrest tube to the front edge of seat sling.

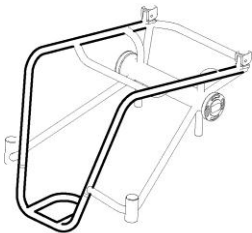


## 2-1. POSITIONING FRAME

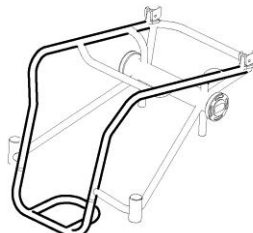
Measure from front of seat sling to the start bend the tube. (STD = 0")



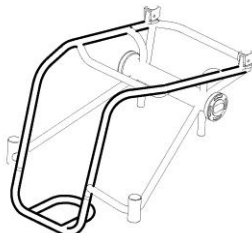
## 2-2. FRAME STYLE



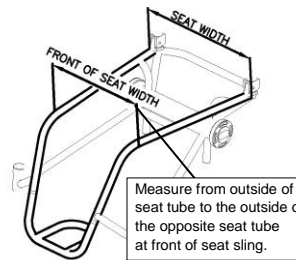
V-Taper



Taper on Bottom

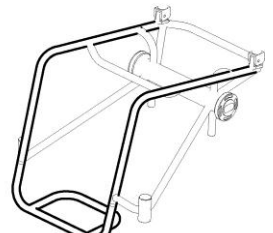


Taper on Top



Taper Seat Sling

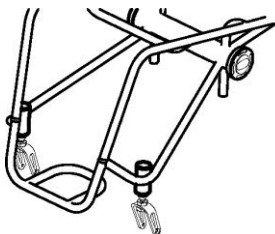
Measure from outside of seat tube to the outside of the opposite seat tube at front of seat sling.



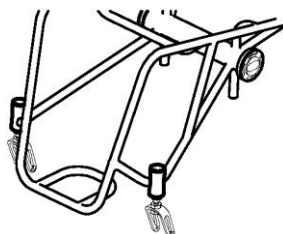
No Taper

\*Measurement must be 2" wider than your footrest width.

## CASTER POSITION

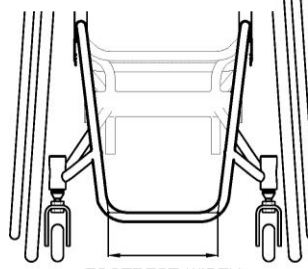


Caster on Inside

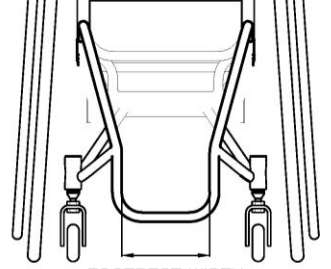


Caster on Outside

## 3. FOOTREST WIDTH



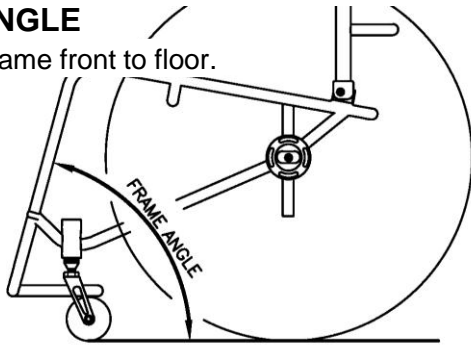
FOOTREST WIDTH



FOOTREST WIDTH

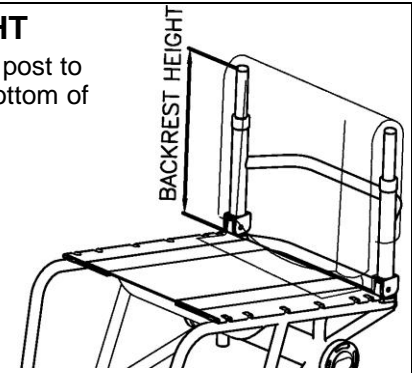
#### 4. FRAME ANGLE

Measure from frame front to floor.



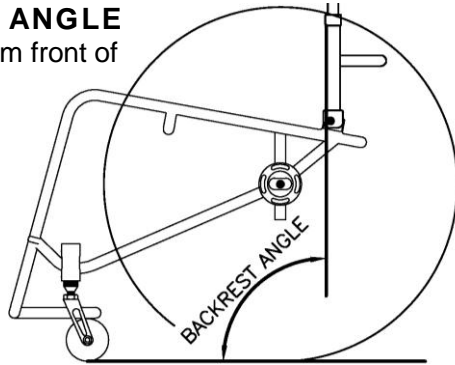
#### 5. BACKREST HEIGHT

Measure from top of back post to top of seat sling at front bottom of backrest tube



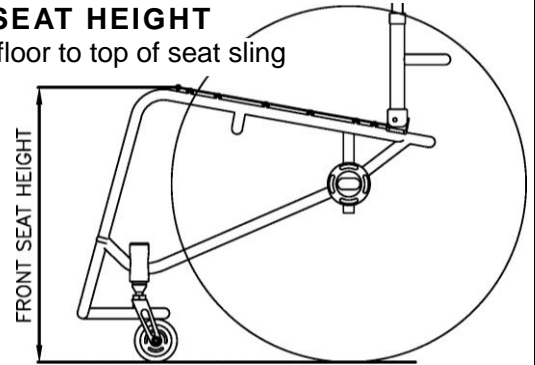
#### 6. BACKREST ANGLE

Measure angle from front of back post to floor.



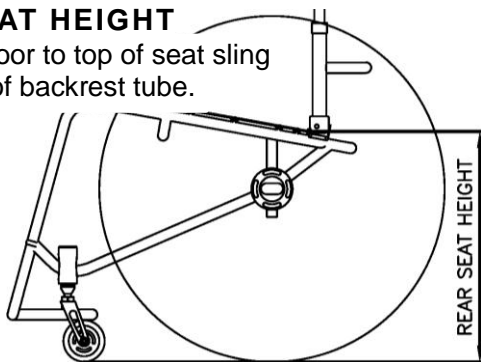
#### 7. FRONT SEAT HEIGHT

Measure from floor to top of seat sling at front edge.



#### 8. REAR SEAT HEIGHT

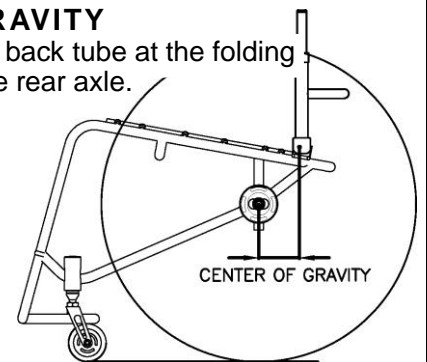
Measure from floor to top of seat sling at front bottom of backrest tube.



#### 9. CENTER OF GRAVITY

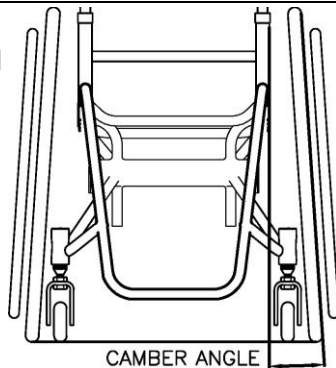
Measure from center of back tube at the folding pivot to the center of the rear axle.

(If welding backrest is selected, Measure from center of back tube at the seat tube to the center of the rear axle.)



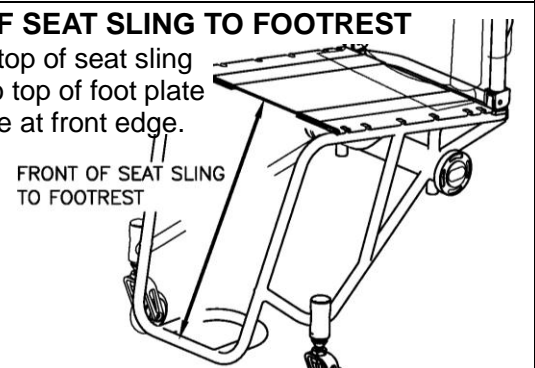
#### 10. CAMBER ANGLE

Measure angle from wheel to vertical at floor.



#### 11. FRONT OF SEAT SLING TO FOOTREST

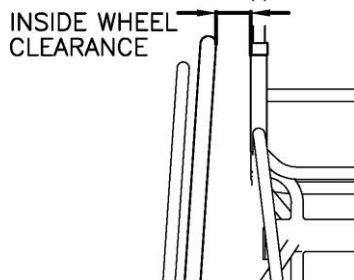
Measure from top of seat sling at front edge to top of foot plate or foot rest tube at front edge.



#### 12. INSIDE WHEEL CLEARANCE

Measure from outside of seat back tube to inside of rear tire.

(If side guards is selected, Measure from outside of side guards to inside of rear tire.)



**COLOURS**

Tel: 951-808-9131 FAX: 951-808-9949

Toll Free: 800-892-8998 www.colourswheelchair.com

**C SPECIAL PARTS COLORS ( Please allow an additional 1-2 weeks delivery)**

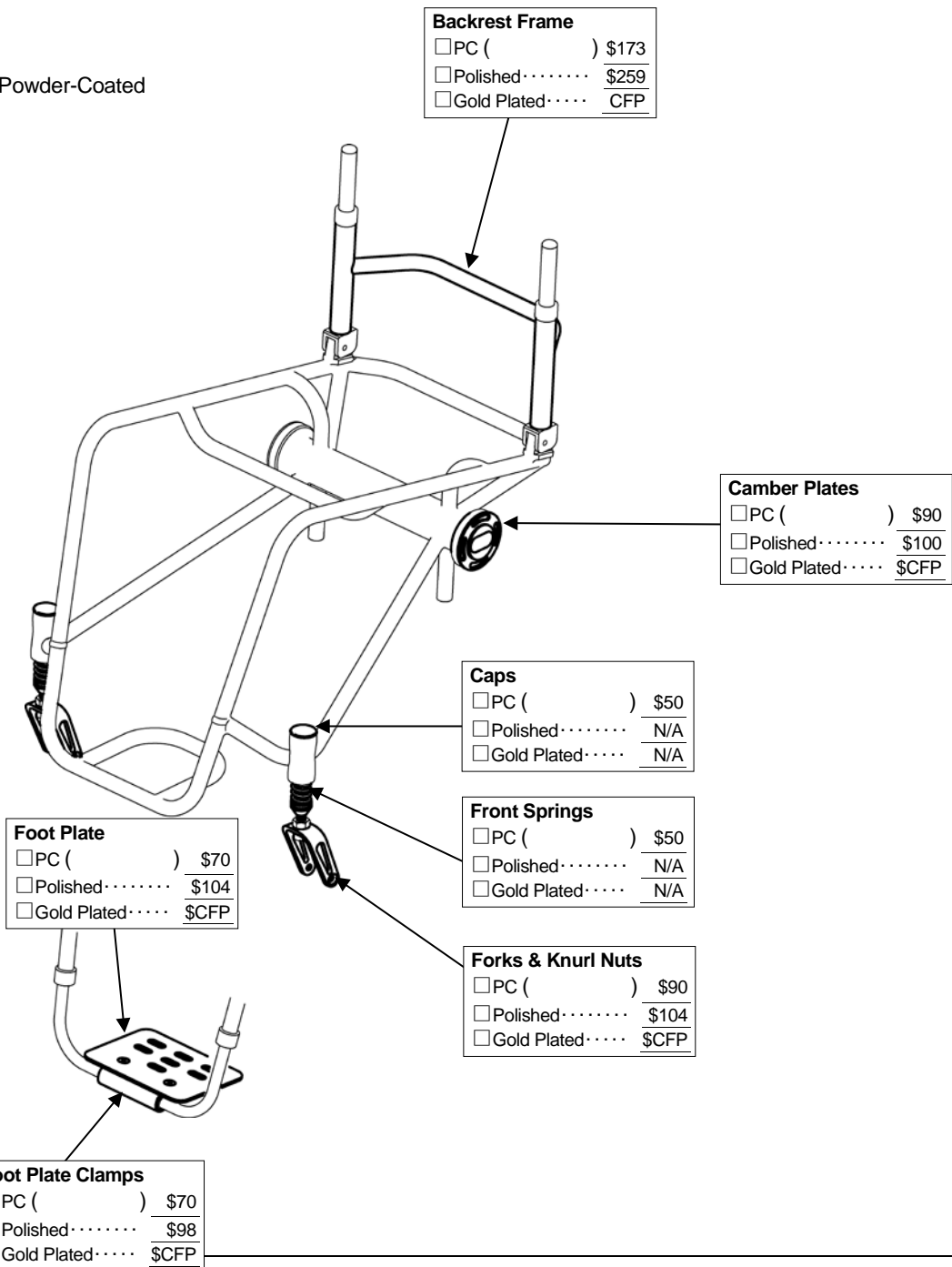
PARTS COLORS						
<b>Powder-Coated</b>	Gloss Black	Twilight Flake	Yellow	Magenta	Fire Engine Red	White
Neon Yellow	Candy Blue	Candy Purple	Candy Green	Candy Red	Candy Raspberry	Cobalt Blue
Brass Metallic	Matte Gray	Matte Purple	Matte Blue	Matte Green	Matte Black	Matte Red
Sparkle Burgundy	Blue Lilac	Neon Green	Orange Sparkle	Mellon Yellow	Gun Smoke Silver	Shocker Yellow
Tiffany Blue	Granny Sparkle Green		Sparkle Sky Blue	Reed Green		
<b>Special Colors</b>	Polished Aluminum 24 karat Gold Plated					

**Please Choose the Color for each Part**

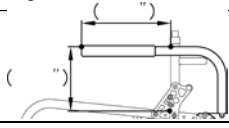
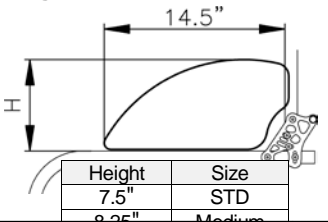
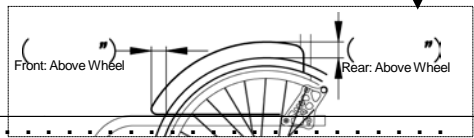
\*Parts not selected will be black color. (Suspension Spring: Silver Color)

\*Minimum 3 parts selected per order.

\*PC=Powder-Coated

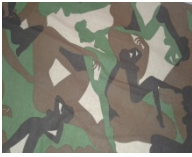


**D COMPONENTS**

<b>WHEEL LOCKS</b>		
<input type="checkbox"/> New Solutions Push to Lock	<input type="checkbox"/> w/ 2" Extension Handle (\$92up charge)	
<input type="checkbox"/> Gallop Push to Lock / Anodized		\$ STD
<input type="checkbox"/> Primo Push to Lock / Anodized		\$ 115
<input type="checkbox"/> Question Mark Style Scissor		\$ 80
<input type="checkbox"/> NEW Compact Scissor Lock / Anodized Black Only		\$ 146
<input type="checkbox"/> Gallop Scissor Lock / Anodized		\$ 146
<input type="checkbox"/> D's Locks	Install: <input type="checkbox"/> Right side" <input type="checkbox"/> Left side	\$ 1,360
<b>PUSH HANDLES</b> *If you are ordering push handles, You must select the backrest locking mechanism.		
<input type="checkbox"/> Integrated w/Fixed Backrest Height / Anodized Black Only		\$ STD
<input type="checkbox"/> Bolt-on / Anodized Black Only	Specify Height from floor -( " )	\$ 188
<input type="checkbox"/> Bolt-on w/Quick Release / Anodized Black Only	Specify Height from floor -( " )	\$ 252
<input type="checkbox"/> NEW Height Adj. / Anodized Black Only	Specify Maximum height from floor -( " )	\$ 390
<b>ADD ARM RESTS</b> Anodized Black Only		
<input type="checkbox"/> Custom Armrest Addition Modification* Choose style below(\$250 up charge)		
<input type="checkbox"/> Fixed Tubular Armrest	Adj. Angle and Height Height from seat sling Set at : <input type="checkbox"/> 8" <input type="checkbox"/> 9" <input type="checkbox"/> 10" <input type="checkbox"/> 11" <input type="checkbox"/> 12" E0973	\$ 330
<input type="checkbox"/> Swing Away Tubular Armrest	Adj. Angle and Height Height from seat sling Set at : <input type="checkbox"/> 8" <input type="checkbox"/> 9" <input type="checkbox"/> 10" <input type="checkbox"/> 11" <input type="checkbox"/> 12" E0973	\$ 330
<input type="checkbox"/> Flip-Up Armrest	<input type="checkbox"/> w/Fixed Tubular Armrest Height from seat sling Set at : <input type="checkbox"/> 8" <input type="checkbox"/> 9" <input type="checkbox"/> 10" <input type="checkbox"/> 11" <input type="checkbox"/> 12" E0973	\$ 330
	Adj. Angle <input type="checkbox"/> w/ Swing Away Tubular Armrest Height from seat sling Set at : <input type="checkbox"/> 8" <input type="checkbox"/> 9" <input type="checkbox"/> 10" <input type="checkbox"/> 11" <input type="checkbox"/> 12" E0973	\$ 330
<input type="checkbox"/> Custom Length & Height (\$173 up charge) *Specify Height & Length → 		
<b>ANTI-TIPPERS</b>		
<input type="checkbox"/> Press Release Removable Anti-tipper(pair)		E0971 \$ 330
<b>SIDE GUARDS</b>		
<input type="checkbox"/> Rigid Side Guards - Black ABS	<input type="checkbox"/> Non-Removable <input type="checkbox"/> Removable <input type="checkbox"/> Removable w/Hole (\$14 up charge) Color: Black Only Size: <input type="checkbox"/> STD <input type="checkbox"/> Medium <input type="checkbox"/> Cut to Wheel (\$100 up charge) Measurement	\$ 187
<input type="checkbox"/> Rigid Side Guards - Aluminum	<input type="checkbox"/> Non-Removable <input type="checkbox"/> Removable Size: <input type="checkbox"/> Medium Only <input type="checkbox"/> Cut to Wheel (\$100 up charge) Measurement Color <input type="checkbox"/> Black (STD) <input type="checkbox"/> Pol. Aluminum (STD) <input type="checkbox"/> Powder Coated ( ) (\$140 up charge) <input type="checkbox"/> Gold Plate (+CFP)	\$ 260
		
<input type="checkbox"/> Fabric Clothing Guards Black Nylon w/Velcro		\$ 108
<b>SEAT CUSHION</b> -*Please see section G for other cushion choices.-		
<input type="checkbox"/> Foam Cushion w/Nylon Black Cover	Thickness <input type="checkbox"/> 1" <input type="checkbox"/> 2" <input type="checkbox"/> 3" <input type="checkbox"/> 4"	\$ CFP
<input type="checkbox"/> Custom Cushion Cover (Std. Foam Cushion Only)	Select Fabric ( ) (\$104 up charge)	
<b>ACCESSORIES</b>		
<input type="checkbox"/> Frame Protectors / Black Leather/Zipper Type		\$ 108
<input type="checkbox"/> Gel Ovation Protector Wraps Gel Silicone	<input type="checkbox"/> Short (1/2") <input type="checkbox"/> Long (3")	\$ 132
<input type="checkbox"/> E0978 Seat Belt w/Auto Buckle	Black Belt Only E0978	\$ 113
<input type="checkbox"/> Tie Down Brackets 4pcs.	<input type="checkbox"/> Bolted <input type="checkbox"/> Welded	\$ 278
<input type="checkbox"/> Calf Strap	<input type="checkbox"/> Black <input type="checkbox"/> Matching Fabric (\$65 up charge) -Select Fabric( )	\$ 35
<input type="checkbox"/> Bodypoint Padded Calf Strap	<input type="checkbox"/> (14"-16" footrest width) <input type="checkbox"/> (16"-20" footrest width) <input type="checkbox"/> (20"-24" footrest) \$89 \$95 \$102	
<input type="checkbox"/> Hanging Zipper Pouch	<input type="checkbox"/> Black <input type="checkbox"/> Matching Fabric (\$75) or <input type="checkbox"/> Leather (\$80) Custom Size Width: Length:	\$ 86
<input type="checkbox"/> Matching Fabric on Padded Side Guards	Select Fabric ( )	\$ 278
<b>UPHOLSTERY CHOICE &amp; COLOR</b> *Positioning Back Available. Please see Section E		
<input type="checkbox"/> Standard Adjustable Height Backrest	(Black)	\$ STD
<input type="checkbox"/> Adjustable Tension Backrest	Black Only (*Not available with 8" Backrest Height)	\$ 173
Options	<input type="checkbox"/> Fun Fabric: For Std. or Adj. Style (Choose From Choices on Page 8 and write below) (\$ 92 up charge)	
	<input type="checkbox"/> Backrest Leather Trim (outside panels) (\$ up charge)	\$ CFP

FABRIC CHOICE SHEET

1. Camouflage Girls



2. Purple Zebra



3. Silver Grey Snake



5. Laughing Skulls



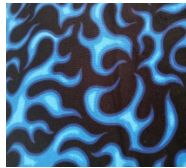
6. Purple Snake



7. Sweetheart Pinup Girls



9. Blue Flames



10. Arctic Camo



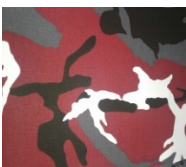
11. Furry Friends



12. Supercars



13. Urban Camo



14. Superbikes



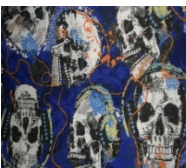
15. Sizzle Flames



16. Hot Rod Flames



17. Skulls w/ Attitude



18. Sweet Pink



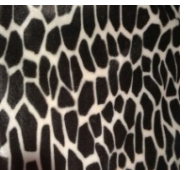
19. Heart and Soul



20. Home Run



21. Fuzzy Giraffe



22. Cheetah



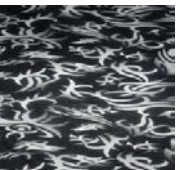
23. Paperweight Cobalt



24. Zig Zag Dots



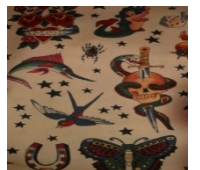
25. Smokey Tribal Flames



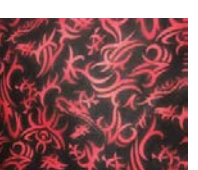
26. Rose and Rebellion



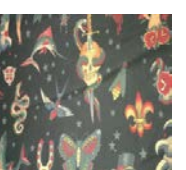
27. Tattoo Adventure(Cream



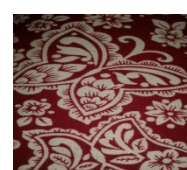
28. Red Tribal Flames



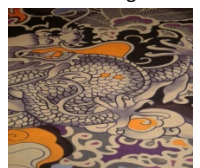
29. Tattoo Adventure(Black)



30. Butterfly Bandana



31. Tatsu Dragon








**E TIRES, CASTERS, & FORKS**

TIRES						
<input type="checkbox"/>	<b>Primo High Pressure Tire</b>	<input type="checkbox"/> 24"x1" <input type="checkbox"/> 25"x1" <input type="checkbox"/> 26"x1"	Gray Tire w/ black line	.....	E2211/E2212	\$ STD
<input type="checkbox"/>	<b>Primo High Pressure Tire</b>	<input type="checkbox"/> 24"x1" <input type="checkbox"/> 25"x1" or <input type="checkbox"/> 26"x1"	<input type="checkbox"/> Blue <input type="checkbox"/> Red	.....	E2211/E2212	\$ 100
<input type="checkbox"/>	<b>Low Pressure Tire</b>	<input type="checkbox"/> 24"x1-3/8" or <input type="checkbox"/> 26"x1-3/8"	Gray Only	.....	E2211/E2212	\$ STD
<input type="checkbox"/>	<b>Schwalbe Marathon Plus High Pressure Tire</b>	<input type="checkbox"/> 24"x1", <input type="checkbox"/> 25"x1" or <input type="checkbox"/> 26"x1"	Black Only	.....	E2211/E2212	\$ 170
<input type="checkbox"/>	<b>Solid Tire</b>	<input type="checkbox"/> 24"x1" <input type="checkbox"/> 25"x1" <input type="checkbox"/> 26"x1"	Black	.....	E2218	\$ 219
<input type="checkbox"/>	<b>Moderate Knobby Tire (EuroTrek)</b>	24"x1-3/8" (37-540)	Gray Only	.....	E2211/E2212	\$ 155
<input type="checkbox"/>	<b>Kobra Knobby Tire</b>	24"x 2" (50-540)	Gray Only <input type="checkbox"/> Blue Line <input type="checkbox"/> Red Line	.....	E2211/E2212	\$ 155
<input type="checkbox"/>	<b>Kobra Knobby Tire</b>	26"x 2" (50-559)	Gray Only <input type="checkbox"/> Blue Line <input type="checkbox"/> Red Line	.....	E2211/E2212	\$ 155
<input type="checkbox"/>	<b>Nevegal Knobby Tire</b>	24" x 1.95"(50-540)	Black Only	.....	E2211/E2212	\$ 155
<input type="checkbox"/>	<b>Kenda Knobby Tire(Kwick Drumlin)</b>	(559) 26" X 1.75 - 2.25	Black Only	.....	E2211/E2212	\$ 155
<input type="checkbox"/>	<b>Flat-Free Inserts</b>	For 24"x1-3/8" For 24" Tires Only	.....	.....	E2211/E2213	\$ 155

CASTERS						
SIZE	TIRE WIDTH	HUB COLOR	TIRE COLOR	DESCRIPTION		
<input type="checkbox"/> 3"	1"	Black Hub	Black Tire Only	Polyurethane	K0077	\$ STD
<input type="checkbox"/> 3"	1"	Plastic Black Hub	Clear Tire Only	Lighted, Polyurethane	A9900	\$ 86
<input type="checkbox"/> 3"	1"	Red Hub	Red Tire Only	Polyurethane	E2222	\$ STD
<input type="checkbox"/> 3"	1"	Black Hub	Clear Tire Only	Polyurethane	E2222	\$ STD
<input type="checkbox"/> 3"	1"	Aluminum Silver Hub	Black Tire Only	Made By Frog Legs	K0071	\$ 209
<input type="checkbox"/> 3"	1"	Aluminum Black Hub	Black Tire Only	Made By Frog Legs	E2222	\$ 209
<input type="checkbox"/> 3"	1.5"	Aluminum Silver Hub	Black Tire Only	Soft Roll Made By Frog Legs	E2222	\$ 209
<input type="checkbox"/> 3"	1.5"	Aluminum Black Hub	Black Tire Only	Soft Roll Made By Frog Legs	E2222	\$ 209
<input type="checkbox"/> 4"	1 1/8"	Plastic Black Hub	Black Tire Only	Polyurethane Not Available with Narrow Frog Leg Forks	E2222	\$ STD
<input type="checkbox"/> 4"	1"	Plastic Black Hub	Clear Only	Lighted, Polyurethane	E2221	\$ 86
<input type="checkbox"/> 4"	1"	Aluminum Silver Hub	Black Tire Only	Made By Frog Legs	E2214	\$ 209
<input type="checkbox"/> 4"	1"	Aluminum Black Hub	Black Tire Only	Made By Frog Legs	E2214	\$ 209
<input type="checkbox"/> 4"	1.5"	Aluminum Silver Hub	Tire <input type="checkbox"/> Black <input type="checkbox"/> Blue <input type="checkbox"/> Red	Soft Roll Made By Frog Legs	E1015	\$ 209
<input type="checkbox"/> 4"	1.5"	Aluminum Black Hub	Black Tire Only	Soft Roll Made By Frog Legs	E2214	\$ 209
<input type="checkbox"/> 5"	1"	Composite Black	Black Tire Only	Polyurethane	E2222	\$ STD
<input type="checkbox"/> 5"	1"	Plastic Black Hub	Clear Tire Only	Lighted, Polyurethane	A9900	\$ 86
<input type="checkbox"/> 5"	1"	Aluminum Silver Hub	Black Tire Only	Made By Frog Legs	A9900	\$ 209
<input type="checkbox"/> 5"	1"	Aluminum Black Hub	Black Tire Only	Made By Frog Legs	E2214	\$ 209
<input type="checkbox"/> 5"	1.5"	Aluminum Silver Hub	Tire <input type="checkbox"/> Black <input type="checkbox"/> Blue <input type="checkbox"/> Red	Soft Roll Made By Frog Legs	K0072	\$ 209
<input type="checkbox"/> 5"	1.5"	Aluminum Black Hub	Black Tire Only	Soft Roll Made By Frog Legs	E2222	\$ 209
<input type="checkbox"/> 6"	1.5"	Aluminum Black Hub	Black Tire Only	Soft Roll Made By Frog Legs	E2222	\$ 234
<input type="checkbox"/> 6"	1.5"	Aluminum Silver Hub	Black Tire Only	Soft Roll Made By Frog Legs	E2222	\$ 234
<input type="checkbox"/>	<input type="checkbox"/> 1"OR <input type="checkbox"/> 1.5"	Hub Color:	Tread Color:	Soft Roll Made By Frog Legs	E2222	\$ CFP


<input type="checkbox"/>	<b>FORKS</b>	<input type="checkbox"/> Frog Leg Shields(4 pcs) Only for Frog Leg Forks				\$ 30
<input type="checkbox"/>	<b>STD Aluminum Forks</b>	Black Only	.....	.....	.....	\$ STD
	Extra Options for Aluminum Forks	<input type="checkbox"/> With Suspension Springs	.....	E1015		\$ 72
		<input type="checkbox"/> With Quick Release Axles	.....	K0073		\$ 141
<input type="checkbox"/>	<b>Frog Leg Suspension Forks 1" Wide</b>	(For 3", 4" x 1" width Caster and 5" STD Caster, 5" lighted Caster)	Not available with Quick Release Axle			
	*User's Weight _____	Color <input type="checkbox"/> Anodized Black <input type="checkbox"/> Anodized Silver	.....	E1015		\$ 607
<input type="checkbox"/>	<b>Frog Leg Suspension Forks 1.5" Wide</b>	(For 3", 4" x 1.5" width Caster and 5" x 1"& 5" x 1.5" Casters )	Not available with Quick Release Axle			
	*User's Weight _____	Color <input type="checkbox"/> Anodized Black <input type="checkbox"/> Anodized Silver	.....	E1015		\$ 607

**F WHEELS**

WHEELS																	
<b>Wire Wheels</b>	<input type="checkbox"/> 24" (540)		\$ NCO														
	<input type="checkbox"/> 25" (559)	.....	\$ NCO														
	<input type="checkbox"/> 26" (590)		\$ NCO														
<b>Y-360 Billet Wheels</b> <small>*Max. Capacity 220Lbs *Camber 0-2" max *Not for Sports or Rugged use</small>	<input type="checkbox"/> 25" (559) ..... Style <input type="checkbox"/> Saw Blade		\$ 1,495														
<b>Y-360 Billet Wheels MOD Style</b> <small>*Max. Capacity 220Lbs *Camber 0-2" max *Not for Sports or Rugged use</small>	<input type="checkbox"/> 25" (559) Only Style <input type="checkbox"/> Tribal Sun <input type="checkbox"/> Girls <input type="checkbox"/> Eagle <input type="checkbox"/> Holy Cross <input type="checkbox"/> Hono(Flames) ..... Specify Powder Coat Color for Insert Only ( ) *Choose from Frame Colors		\$ 1,783														
<b>Extra Options for</b>		<input type="checkbox"/> Powder-Coated Spokes Only ( ) *Choose from Frame Colors <b>(\$250 up charge)</b>															
<b>Spinergy Spox 18 Spokes</b> 	<input type="checkbox"/> 24" (540) <input type="checkbox"/> 25" (559) <input type="checkbox"/> 26" (590) Spoke Color <input type="checkbox"/> Black With Silver Hub <input type="checkbox"/> Red With Black Hub <input type="checkbox"/> Yellow With Black Hub <input type="checkbox"/> Blue With Black Hub <input type="checkbox"/> White With Black Hub .....	\$ 998															
	<input type="checkbox"/> Custom Color Spoke Pattern <table border="1" style="display: inline-table; margin-left: 10px;"> <thead> <tr> <th colspan="2"></th> <th>Left Wheel</th> <th>Right Wheel</th> </tr> </thead> <tbody> <tr> <td>Spokes</td> <td>Inside</td> <td></td> <td></td> </tr> <tr> <td>Color</td> <td>Outside</td> <td></td> <td></td> </tr> <tr> <td>Hub Color</td> <td></td> <td><input type="checkbox"/> Black/<input type="checkbox"/> Silver</td> <td><input type="checkbox"/> Black/<input type="checkbox"/> Silver</td> </tr> </tbody> </table>			Left Wheel	Right Wheel	Spokes	Inside			Color	Outside			Hub Color		<input type="checkbox"/> Black/ <input type="checkbox"/> Silver	<input type="checkbox"/> Black/ <input type="checkbox"/> Silver
		Left Wheel	Right Wheel														
Spokes	Inside																
Color	Outside																
Hub Color		<input type="checkbox"/> Black/ <input type="checkbox"/> Silver	<input type="checkbox"/> Black/ <input type="checkbox"/> Silver														
<b>Spinergy LX 12 Spokes</b> 	<input type="checkbox"/> 24" (540) <input type="checkbox"/> 25" (559) <input type="checkbox"/> 26" (590) Spoke Color <input type="checkbox"/> Black With Silver Hub <input type="checkbox"/> Red With Black Hub <input type="checkbox"/> Yellow With Black Hub <input type="checkbox"/> Blue With Black Hub <input type="checkbox"/> White With Black Hub <input type="checkbox"/> Neon Green With Black Hub <input type="checkbox"/> Pink With Black Hub <input type="checkbox"/> Orange With Black Hub <input type="checkbox"/> Purple With Black Hub	\$ 1,252															
	<input type="checkbox"/> Custom Color Spoke Pattern <table border="1" style="display: inline-table; margin-left: 10px;"> <thead> <tr> <th colspan="2"></th> <th>Left Wheel</th> <th>Right Wheel</th> </tr> </thead> <tbody> <tr> <td>Spokes</td> <td>Inside</td> <td></td> <td></td> </tr> <tr> <td>Color</td> <td>Outside</td> <td></td> <td></td> </tr> <tr> <td>Hub Color</td> <td></td> <td><input type="checkbox"/> Black/<input type="checkbox"/> Silver</td> <td><input type="checkbox"/> Black/<input type="checkbox"/> Silver</td> </tr> </tbody> </table>			Left Wheel	Right Wheel	Spokes	Inside			Color	Outside			Hub Color		<input type="checkbox"/> Black/ <input type="checkbox"/> Silver	<input type="checkbox"/> Black/ <input type="checkbox"/> Silver
		Left Wheel	Right Wheel														
Spokes	Inside																
Color	Outside																
Hub Color		<input type="checkbox"/> Black/ <input type="checkbox"/> Silver	<input type="checkbox"/> Black/ <input type="checkbox"/> Silver														
<b>Spinergy X-Laced Sport Lite Extreme "XSLX" 24 Spokes</b> 	<input type="checkbox"/> 24" (540) <input type="checkbox"/> 25" (559) <input type="checkbox"/> 26" (590) Spoke Color <input type="checkbox"/> Black With Silver Hub <input type="checkbox"/> Red With Black Hub <input type="checkbox"/> Yellow With Black Hub <input type="checkbox"/> Blue With Black Hub <input type="checkbox"/> White With Black Hub <input type="checkbox"/> Neon Green With Black Hub <input type="checkbox"/> Pink With Black Hub <input type="checkbox"/> Orange With Black Hub <input type="checkbox"/> Purple With Black Hub	\$ 1,210															
	<input type="checkbox"/> Custom Color Spoke Pattern <table border="1" style="display: inline-table; margin-left: 10px;"> <thead> <tr> <th colspan="2"></th> <th>Left Wheel</th> <th>Right Wheel</th> </tr> </thead> <tbody> <tr> <td>Spokes</td> <td>Inside</td> <td></td> <td></td> </tr> <tr> <td>Color</td> <td>Outside</td> <td></td> <td></td> </tr> <tr> <td>Hub Color</td> <td></td> <td><input type="checkbox"/> Black/<input type="checkbox"/> Silver</td> <td><input type="checkbox"/> Black/<input type="checkbox"/> Silver</td> </tr> </tbody> </table>			Left Wheel	Right Wheel	Spokes	Inside			Color	Outside			Hub Color		<input type="checkbox"/> Black/ <input type="checkbox"/> Silver	<input type="checkbox"/> Black/ <input type="checkbox"/> Silver
		Left Wheel	Right Wheel														
Spokes	Inside																
Color	Outside																
Hub Color		<input type="checkbox"/> Black/ <input type="checkbox"/> Silver	<input type="checkbox"/> Black/ <input type="checkbox"/> Silver														

Valid from 2023 Prices & Specifications Are Subject To Change Without Notice.

**Spinergy Sport Lite Extreme "SLX" 24 Spoke**



24" (540)    25" (559)    26" (590)  
 Spoke Color    Black    Red    Yellow    Blue  
                     With Silver Hub   With Black Hub   With Black Hub   With Black Hub  
 White    Neon Green    Pink    Orange    Purple  
                     With Black Hub   With Black Hub   With Black Hub   With Black Hub   With Black Hub


Custom Color Spoke Pattern

		Left Wheel	Right Wheel
Spokes	Inside		
	Outside		
Hub Color		<input type="checkbox"/> Black/ <input type="checkbox"/> Silver	<input type="checkbox"/> Black/ <input type="checkbox"/> Silver

\$ 1,166

\$ 1,276

**Spinergy Lite Extreme "XLX" X-Laced-12 Spoke**



24" (540)    25" (559)    26" (590)  
 Spoke Color    Black    Red    Yellow    Blue  
                     With Silver Hub   With Black Hub   With Black Hub   With Black Hub  
 White    Neon Green    Pink    Orange    Purple  
                     With Black Hub   With Black Hub   With Black Hub   With Black Hub   With Black Hub


Custom Color Spoke Pattern

		Left Wheel	Right Wheel
Spokes	Inside		
	Outside		
Hub Color		<input type="checkbox"/> Black/ <input type="checkbox"/> Silver	<input type="checkbox"/> Black/ <input type="checkbox"/> Silver

\$ 1,210

\$ 1,320

**Spinergy Blade "LXL" 18 Spoke**



24" (540)    25" (559)    26" (590)  
 Spoke Color    Black    Red    Yellow    Blue  
                     With Silver Hub   With Black Hub   With Black Hub   With Black Hub  
 White    Neon Green    Pink    Orange    Purple  
                     With Black Hub   With Black Hub   With Black Hub   With Black Hub   With Black Hub

Custom Color Spoke Pattern

		Left Wheel	Right Wheel
Spokes	Inside		
	Outside		
Hub Color		<input type="checkbox"/> Black	<input type="checkbox"/> Black

\$ 1,040

\$ 1,150

**HANDRIM**

<b>Type</b>	<input type="checkbox"/> Standard For 24", 25" or 26" Wheel Anodized Black	\$ STD
	<input type="checkbox"/> Vinyl Coated For 24", 25" & 26" Wheels Not available with Y-360 Billet Wheels . . . . .	\$ 200
	<input type="checkbox"/> Spinergy Silver Brushed Anodized For 24", 25" & 26" . . . . . Not available with Y-360 Billet Wheels . . . . .	\$ 176
	<input type="checkbox"/> Natural Fit For 24", 25" & 26" Wheel	
	<input type="checkbox"/> Standard Grip (Not available with short tabs.) Not available with Y-360 Billet Wheels . . . . .	\$ 570
	<input type="checkbox"/> Super Grip (Not available with short tabs.) Not available with Y-360 Billet Wheels . . . . .	\$ 645
	<input type="checkbox"/> Without Thumb Grip ( Not available with Y-360 Billet Wheels) . . . . .	\$ 338
	<input type="checkbox"/> Natural Fit(LT) For 24", 25" & 26" Wheel	
	<input type="checkbox"/> Standard Grip (Not available with short tabs.) Not available with Y-360 Billet Wheels . . . . .	\$ 629
	<input type="checkbox"/> Super Grip (Not available with short tabs.) Not available with Y-360 Billet Wheels . . . . .	\$ 706
	<input type="checkbox"/> Without Thumb Grip ( Not available with Y-360 Billet Wheels) . . . . .	\$ 400
	<input type="checkbox"/> The Surge Handrims * Not available with Y-360 Billet Wheels . . . . .	\$ 553
	<input type="checkbox"/> The Surge Handrims (LT) * Not available with Y-360 Billet Wheels . . . . .	\$ 603
	<input type="checkbox"/> Spinergy Flex Rim Available only on Spinergy LX & XLX	\$ CFP
	<input type="checkbox"/> The Q-Grip Handrims : anti-slip, latex-free, neoprene coating * Not available with Y-360 Billet Wheels	\$ 543
	<input type="checkbox"/> OMIT HANDRIMS	\$ NCO

<b>TAB LENGTH</b>	<input type="checkbox"/> Long Tab ( STD inside clearance 3/4") Not available with Y-360 Billet Wheels * . . . . .	STD
	<input type="checkbox"/> Short Tab (Inside clearance 1/2") * Not available with Natural Fit Handrim with thumb grip . . . . .	\$ STD
	<input type="checkbox"/> Short Tab (Set closest to wheel cut off excess) * Not available with Y-360 wheel . . . . .	\$ 35

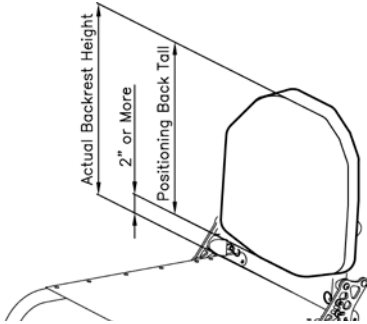
**G CHAIR OPTIONS 1 / 3**

SEAT CUSHION							
<b>SUPRACOR® WHEELCHAIR CUSHIONS</b>							
<b>Stimulite® Contoured Cushion</b> *Black Upholstery only  *Comes with Zipper Pouch <input type="checkbox"/> Extra Sensitive (\$35 up charge) <input type="checkbox"/> Sling Style Bottom (\$52 up charge) <input type="checkbox"/> Custom Size ( \$- CFP ) W(   " ) x D(   " ) <input type="checkbox"/> Extra Cover (\$120 up charge)	<input type="checkbox"/> W14"xD16" (CD1416)	.....	<b>E2603</b>	\$	707		
	<input type="checkbox"/> W16"xD16" (CD1616)	.....	<b>E2603</b>	\$	707		
	<input type="checkbox"/> W16"xD18" (CD1618)	.....	<b>E2603</b>	\$	707		
	<input type="checkbox"/> W18"xD16" (CD1816)	.....	<b>E2603</b>	\$	707		
	<input type="checkbox"/> W18"xD18" (CD1818)	.....	<b>E2603</b>	\$	707		
	<input type="checkbox"/> W18"xD20" (CD1820)	.....	<b>E2603</b>	\$	714		
	<input type="checkbox"/> W20"xD16" (CD2016)	.....	<b>E2603</b>	\$	714		
	<input type="checkbox"/> W20"xD18" (CD2018)	.....	<b>E2603</b>	\$	714		
	<input type="checkbox"/> W20"xD20" (CD2020)	.....	<b>E2603</b>	\$	734		
	<b>Stimulite® Slimline Cushion</b> *Black Upholstery only  <input type="checkbox"/> Extra Sensitive (\$35 up charge) <input type="checkbox"/> Sling Style Bottom (\$52 up charge) <input type="checkbox"/> Custom Size ( \$- CFP ) W(   " ) x D(   " ) <input type="checkbox"/> Extra Cover (\$86 up charge)	<input type="checkbox"/> W14"xD16" (SM1416)	.....	<b>E2603</b>	\$	446	
<input type="checkbox"/> W16"xD16" (SM1616)		.....	<b>E2603</b>	\$	446		
<input type="checkbox"/> W16"xD18" (SM1618)		.....	<b>E2603</b>	\$	446		
<input type="checkbox"/> W18"xD18" (SM1818)		.....	<b>E2603</b>	\$	446		
<input type="checkbox"/> W18"xD20" (SM1820)		.....	<b>E2603</b>	\$	490		
<input type="checkbox"/> W20"xD16" (SM2016)		.....	<b>E2603</b>	\$	490		
<input type="checkbox"/> W20"xD18" (SM2018)		.....	<b>E2603</b>	\$	490		
<input type="checkbox"/> W20"xD20" (SM2020)		.....	<b>E2603</b>	\$	518		
<b>Stimulite® Corbee Pediatric</b> *Black Upholstery only <input type="checkbox"/> Extra Cover (\$86 up charge)	<input type="checkbox"/> W10"xD10" (PD1010)	.....	<b>E2603</b>	\$	342		
	<input type="checkbox"/> W12"xD12" (PD1212)	.....	<b>E2603</b>	\$	342		
	<input type="checkbox"/> W14"xD14" (PD1414)	.....	<b>E2603</b>	\$	342		
	<input type="checkbox"/> Extra Sensitive (\$35 up charge) <input type="checkbox"/> Sling Style Bottom (\$52 up charge) <input type="checkbox"/> Custom Size W(   " ) x D(   " ) ( \$- CFP )						
<b>ROHO WHEELCHAIR CUSHIONS</b>							
Choose Size	<input type="checkbox"/> 4" HIGH PROFILE® QUADTRO SELECT® CUSHION *Black Upholstery		..... <input type="checkbox"/> Extra Cover (\$+100) .....		<b>E2622-2623</b>	\$ 669	
	<input type="checkbox"/> W12"xD12"	<input type="checkbox"/> W12"xD13"	<input type="checkbox"/> W13"xD13"	<input type="checkbox"/> W13"xD15"	<input type="checkbox"/> W13"xD16"	<input type="checkbox"/> W15"xD13"	<input type="checkbox"/> W15"xD15"
	<input type="checkbox"/> W15"xD16"	<input type="checkbox"/> W15"xD18"	<input type="checkbox"/> W16"xD15"	<input type="checkbox"/> W16"xD16"	<input type="checkbox"/> W16"xD18"	<input type="checkbox"/> W16"xD20"	<input type="checkbox"/> W18"xD15"
	<input type="checkbox"/> W18"xD16"	<input type="checkbox"/> W18"xD18"	<input type="checkbox"/> W18"xD20"	<input type="checkbox"/> W18"xD22"	<input type="checkbox"/> W20"xD16"	<input type="checkbox"/> W20"xD18"	<input type="checkbox"/> W20"xD20"
	<input type="checkbox"/> W20"xD22"	<input type="checkbox"/> W22"xD18"	<input type="checkbox"/> W22"xD20"	<input type="checkbox"/> W22"xD22"	<input type="checkbox"/> Custom Size W(   " ) x D(   " ) ( \$+CFP )		
Choose Size	<input type="checkbox"/> 3" MID PROFILE® QUADTRO SELECT® CUSHION *Black Upholstery only		..... <input type="checkbox"/> Extra Cover (\$+100)		<b>E2622-2623</b>	\$ 669	
	<input type="checkbox"/> W15"xD15"	<input type="checkbox"/> W15"xD16"	<input type="checkbox"/> W16"xD16"	<input type="checkbox"/> W16"xD18"	<input type="checkbox"/> W18"xD16"	<input type="checkbox"/> W18"xD18"	
	<input type="checkbox"/> Custom Size W(   " ) x D(   " ) ( \$+CFP )						
Choose Size	<input type="checkbox"/> 2" LOW PROFILE® QUADTRO SELECT® CUSHION *Black Upholstery only		..... <input type="checkbox"/> Extra Cover (\$+100) .....		<b>E2622-2623</b>	\$ 669	
	<input type="checkbox"/> W12"xD12"	<input type="checkbox"/> W12"xD13"	<input type="checkbox"/> W13"xD13"	<input type="checkbox"/> W13"xD15"	<input type="checkbox"/> W13"xD16"	<input type="checkbox"/> W15"xD13"	<input type="checkbox"/> W15"xD15"
	<input type="checkbox"/> W15"xD16"	<input type="checkbox"/> W15"xD18"	<input type="checkbox"/> W16"xD15"	<input type="checkbox"/> W16"xD16"	<input type="checkbox"/> W16"xD18"	<input type="checkbox"/> W16"xD20"	<input type="checkbox"/> W18"xD15"
	<input type="checkbox"/> W18"xD16"	<input type="checkbox"/> W18"xD18"	<input type="checkbox"/> W18"xD20"	<input type="checkbox"/> W20"xD16"	<input type="checkbox"/> W20"xD18"	<input type="checkbox"/> W20"xD20"	
	<input type="checkbox"/> Custom Size W(   " ) x D(   " ) ( \$+CFP )						
<b>THE CURVE CUSHION</b> *Black Upholstery only <input type="checkbox"/> Extra Cover ( \$+ 46	<input type="checkbox"/> W10"xD10"	<input type="checkbox"/> W10"xD11"	<input type="checkbox"/> W10"xD11"	<input type="checkbox"/> W10"xD12"	<input type="checkbox"/> W11"xD12"	<input type="checkbox"/> W12"xD12"	
	<input type="checkbox"/> W12"xD13"	<input type="checkbox"/> W12"xD14"	<input type="checkbox"/> W13"xD11"	<input type="checkbox"/> W13"xD12"	<input type="checkbox"/> W13"xD13"	<input type="checkbox"/> W13"xD14"	
	<input type="checkbox"/> W14"xD14"	<input type="checkbox"/> W14"xD15"	<input type="checkbox"/> W14"xD16"	<input type="checkbox"/> W15"xD14"	<input type="checkbox"/> W15"xD15"	<input type="checkbox"/> W15"xD16"	
	<input type="checkbox"/> W16"xD14"	<input type="checkbox"/> W16"xD15"	<input type="checkbox"/> W16"xD16"	<input type="checkbox"/> W16"xD17"	<input type="checkbox"/> W16"xD18"	<input type="checkbox"/> W17"xD16"	
	<input type="checkbox"/> W17"xD17"	<input type="checkbox"/> W17"xD18"	<input type="checkbox"/> W18"xD16"	<input type="checkbox"/> W18"xD17"	<input type="checkbox"/> W18"xD18"		

**G CHAIR OPTIONS 2 / 3**

SEAT CUSHION				
<b>Exgel Kaji Cushion</b>				
<b>For Comfortable Sitting To Prevent Pressure Sores</b>				
<input type="checkbox"/> <b>Owl Regular(1.6" Thick)</b> Incontinence Cover Only	<input type="checkbox"/> W14"xD16" <input type="checkbox"/> W15"xD16" <input type="checkbox"/> W16"xD16" <input type="checkbox"/> W18"xD16"	..... ..... ..... ..... * No Custom Sizes	<input type="checkbox"/> <b>Extra Cover \$104</b>	E2603 \$ 362 E2603 \$ 362 E2603 \$ 362 E2603 \$ 408
<input type="checkbox"/> <b>Owl High(3.1" Thick)</b> Incontinence Cover Only	<input type="checkbox"/> W14"xD16" <input type="checkbox"/> W15"xD16" <input type="checkbox"/> W16"xD16" <input type="checkbox"/> W18"xD16" <input type="checkbox"/> W18"xD18"	..... ..... ..... ..... ..... * No Custom Sizes	<input type="checkbox"/> <b>Extra Cover \$104</b>	E2603 \$ 437 E2603 \$ 437 E2603 \$ 437 E2603 \$ 495 E2603 \$ 495
<input type="checkbox"/> <b>Owl Contour(3.0" Thick)</b> Incontinence Cover Only	<input type="checkbox"/> W14"xD16" <input type="checkbox"/> W15"xD16" <input type="checkbox"/> W16"xD16" <input type="checkbox"/> W18"xD16"	..... ..... ..... .....	<input type="checkbox"/> <b>Extra Cover \$104</b>	E2603 \$ 454 E2603 \$ 454 E2603 \$ 454 E2603 \$ 495
<input type="checkbox"/> <b>Owl Deep Contour(4.3" Thick)</b>		* No Custom Sizes- Incontinence Cover Only		
<input type="checkbox"/> W14"xD16" \$518 <input type="checkbox"/> W15"xD16" \$518 <input type="checkbox"/> W16"xD16" \$518 <input type="checkbox"/> W18"xD16" \$558		<input type="checkbox"/> <b>Extra Cover \$104</b>		
<input type="checkbox"/> <b>Standard Regular(1.4" Thick)</b> Easy to Use Flat Style (superior pressure redistribution)		<b>For Pressure</b>		E2622-2623
<input type="checkbox"/> W12" x D12" \$368 <input type="checkbox"/> W13" x D13" \$368 <input type="checkbox"/> W14" x D14" \$368 <input type="checkbox"/> W14" x D16" \$368 <input type="checkbox"/> W16" x D16" \$368 <input type="checkbox"/> W16" x D17" \$368 <input type="checkbox"/> W17" x D16" \$368 <input type="checkbox"/> W17" x D17" \$368 <input type="checkbox"/> W18" x D16" \$391 <input type="checkbox"/> W18" x D18" \$391 <input type="checkbox"/> W18" x D19" \$440 <input type="checkbox"/> W18" x D20" \$440 <input type="checkbox"/> W19" x D19" \$440		<input type="checkbox"/> <b>Extra Cover \$104</b> * No Custom Sizes- Incontinence Cover Only		
<input type="checkbox"/> <b>Standard High(2.6" Thick)</b> Incontinence Cover Only		.....		E2622
*Black Upholstery only				
<input type="checkbox"/> W12" x D12" \$383 <input type="checkbox"/> W13" x D13" \$ 383 <input type="checkbox"/> W14" x D14" \$383 <input type="checkbox"/> W14" x D16" \$ 383 <input type="checkbox"/> W16" x D16" \$383 <input type="checkbox"/> W16" x D17" \$383 <input type="checkbox"/> W17" x D16" \$383 <input type="checkbox"/> W17" x D17" \$383 <input type="checkbox"/> W18" x D16" \$460 <input type="checkbox"/> W18" x D18" \$460 <input type="checkbox"/> W18" x D19" \$512 <input type="checkbox"/> W18" x D20" \$512 <input type="checkbox"/> W19" x D19" \$512 <input type="checkbox"/> W18" x D19" \$512		<input type="checkbox"/> <b>Extra Cover \$104</b>		
<input type="checkbox"/> <b>Standard Anti-Thrust(2.6" Thick)</b> * No Custom Sizes Incontinence Cover Only	<input type="checkbox"/> W16 x D16 \$460 <input type="checkbox"/> W18 x D16 \$500 <input type="checkbox"/> W18 x D18 \$500	Prevents Unwanted Forward Movement of lower back and hip bone	<input type="checkbox"/> <b>Extra Cover \$104</b>	
<input type="checkbox"/> <b>Lite Regular(2.2" Thick)</b>	<input type="checkbox"/> W16" x D16" \$374 <input type="checkbox"/> W18" x D16" \$397 <input type="checkbox"/> W18" x D18" \$397	* No Custom Sizes- Incontinence Cover Only		
		<input type="checkbox"/> <b>Extra Cover \$104</b>		
<input type="checkbox"/> <b>Lite High(3.0" Thick)</b>	<input type="checkbox"/> W16" x D16" \$408 <input type="checkbox"/> W18" x D16" \$431 <input type="checkbox"/> W18" x D18" \$431	* No Custom Sizes- Incontinence Cover Only		
		<input type="checkbox"/> <b>Extra Cover \$104</b>		

**H CHAIR OPTIONS 3 / 3**

<b>POSITIONING BACK</b>					
<p><b>*Note : Actual height of the backrest will increase 2" or more.</b></p> 					
<b>ADI CARBON BACKREST (Support Contour-ACTIVE 2.5")</b>					
Mounting Hardware: <input type="checkbox"/> 2 Point Pro <input type="checkbox"/> Quick Release					
Height	<input type="checkbox"/> LOW (10" Tall) *Backrest Height requires 12" or more *Available 13"-19" width	Width ( " )	<b>E2613</b>	\$	986
	<input type="checkbox"/> Medium (13" Tall) *Backrest Height requires 15" or more *Available 13"-19" width	Width ( " )	<b>E2613</b>	\$	1,078
<input type="checkbox"/> Add Privacy Flap	<input type="checkbox"/> Standard (16" Tall) *Backrest Height requires 18" or more *Available 13"-19" width	Width ( " )	<b>E2613</b>	\$	1,164
<b>(\$80 up charge)</b>	<input type="checkbox"/> Custom Size ( " Tall) x ( " width) . . . . .		<b>E2613</b>	\$	CFP
<b>ADI ALUMINUM BACKREST (Support Contour-ACTIVE 2.5")</b>					
Mounting Hardware: <input type="checkbox"/> 2 Point Pro <input type="checkbox"/> Quick Release					
Height	<input type="checkbox"/> LOW (10" Tall) *Backrest Height requires 12" or more *Available 10"-20" width	Width ( " )	<b>E2613</b>	\$	807
	<input type="checkbox"/> Medium (13" Tall) *Backrest Height requires 15" or more *Available 12"-20" width	Width ( " )	<b>E2613</b>	\$	827
	<input type="checkbox"/> Standard (16" Tall) *Backrest Height requires 18" or more *Available 14"-20" width	Width ( " )	<b>E2613</b>	\$	846
	<input type="checkbox"/> Tall (18" Tall) *Backrest Height requires 20" or more *Available 16"-20" width	Width ( " )	<b>E2613</b>	\$	866
<input type="checkbox"/> Add Privacy Flap	<input type="checkbox"/> X-Tall (20" Tall) *Backrest Height requires 22" or more *Available 16"-20" width	Width ( " )	<b>E2613</b>	\$	886
<b>(\$80 up charge)</b>	<input type="checkbox"/> Custom Size ( " Tall) x ( " width) . . . . .		<b>E2613</b>	\$	CFP
<b>ADI ALUMINUM BACKREST (Support Contour-DEEP 4") *Not Available with Lateral Supports</b>					
Mounting Hardware: <input type="checkbox"/> 2 Point Pro <input type="checkbox"/> Quick Release					
Height	<input type="checkbox"/> LOW (10" Tall) *Backrest Height requires 12" or more *Available 10"-20" width	Width ( " )	<b>E2615</b>	\$	940
	<input type="checkbox"/> Medium (13" Tall) *Backrest Height requires 15" or more *Available 12"-20" width	Width ( " )	<b>E2615</b>	\$	959
	<input type="checkbox"/> Standard (16" Tall) *Backrest Height requires 18" or more *Available 14"-20" width	Width ( " )	<b>E2615</b>	\$	979
	<input type="checkbox"/> Tall (18" Tall) *Backrest Height requires 20" or more *Available 16"-20" width	Width ( " )	<b>E2615</b>	\$	998
<input type="checkbox"/> Add Privacy Flap	<input type="checkbox"/> X-Tall (20" Tall) *Backrest Height requires 22" or more *Available 16"-20" width	Width ( " )	<b>E2615</b>	\$	1,019
<b>(\$80 up charge)</b>	<input type="checkbox"/> Custom Size ( " Tall) x ( " width) . . . . .		<b>E2615</b>	\$	CFP
<b>ADI LATERAL SUPPORTS ( Lateral Supports are compatible with only active 2.5" ADI positioning back. )</b>					
<input type="checkbox"/> Stationary Pad	Pad Size <input type="checkbox"/> Small (3" H x 3" D) <input type="checkbox"/> Medium(3" H x 4" D) <input type="checkbox"/> Large(4.5" H x 4.5" D) <input type="checkbox"/> Large(4" H x 6" D)				
	<input type="checkbox"/> Pair . . . . .				\$ 422
	<input type="checkbox"/> Left side only or <input type="checkbox"/> Right side only . . . . .				\$ 211
<input type="checkbox"/> Swing-Out	Pad Size <input type="checkbox"/> Small (3" H x 3" D) <input type="checkbox"/> Medium(3" H x 4" D) <input type="checkbox"/> Large(4.5" H x 4.5" D) <input type="checkbox"/> Large(4" H x 6" D)				
	<input type="checkbox"/> Pair . . . . .				\$ 688
	<input type="checkbox"/> Left side only or <input type="checkbox"/> Right side only				\$ 344
<b>OTHER</b>					
<input type="checkbox"/> ADI Transfer Board	<input type="checkbox"/> 21" (ADV21) <input type="checkbox"/> 24" (ADV24) <input type="checkbox"/> 29"(ADV29) . . . . .				\$ 82
<input type="checkbox"/> ADI Push and Transfer Gloves with Leather	(one size) (ADGL) . . . . .				\$ 110
<input type="checkbox"/> ADI Push and Transfer Gloves with Rubber Grip	(one size) (ADG) . . . . .				\$ 110
<input type="checkbox"/> ADI Carbon Solid Seat	(Wide: 18" Max, Depth: 20" ) ✘ ONLY AVAILABLE WITH COLOURS NON-REMOVABLE SIDE GUARDS				\$ 827
<b>VARILITE® Seating Systems Available</b>					CFP
Please visit for all options <a href="http://www.varilite.com">www.varilite.com</a>					
NOTE					